



## Golden Vac™ Closures

Category	Item	Additive	Cap Color	Tube material	Tube cap	Tube Size (mm)	Test Item
Serum Blood Collection Tube	Plain Tube	Plain	Red	Glass/Plastic		13*75 13*100 16*100	Clinical Biochemistry, Immunology and Serology Test
						16*100	
	Pro-coagulation Tube	Clot Activator	Red	Glass/Plastic		13*75 13*100 16*100	
						16*100	
	Gel & Clot Activator Tube	Gel & Coagulant	Yellow	Glass/Plastic		13*75 13*100 16*100	
						16*100	
Whole Blood Collection Tube	EDTA Tube	Sprayed K2·EDTA/ Sprayed K3·EDTA	Purple	Glass/Plastic		13*75 13*100 16*100	Haematology Test (Blood Routine Examination)
						16*100	
	ESR Tube	3.8% Sodium Citrate Buffer(0.129mol/L)	Black	Glass/Plastic Glass		13*75	Erythrocyte Sedimentation Rate Test
						8*120	
Plasma Blood Collection Tube	Coagulation Tube	3.2% Sodium Citrate Buffer(0.109mol/L)	Blue	Glass/Plastic		13*75 13*100	Coagulation Function Test
						10.25*64	

Category	Item	Additive	Cap Color	Tube material	Tube cap	Tube Size (mm)	Test Item
Plasma Blood Collection Tube	Heparin Tube	Sodium Heparin/ Lithium Heparin	Green	Glass/ Plastic		13*75 13*100 16*100	Clinical Chemistry for Emergency Treatment, Blood Rheology Test
	Gel & Heparin Tube	Gel & Sodium Heparin/ Gel & Lithium Heparin	Green	Glass/ Plastic		16*100	
						13*75 13*100 16*100	
	Glucose Tube	Sodium Fluoride & Sodium Heparin/ Sodium Fluoride & EDTA/ Sodium Fluoride & Potassium Oxalate	Grey	Glass/ Plastic		13*75 13*100	Glucose and Lactate Test
	EDTA & Gel Tube	Gel & Sprayed K2·EDTA/ Gel & Sprayed K3·EDTA	Purple	Glass/ Plastic		13*75 13*100 16*100	Molecular Biology Test (Such as PCR)
					16*100		



## Golden Vac™ Vacuum Blood Collection System

As a leading manufacturer of medical and laboratory plastic consumables in China over 36 years with ISO13485:2016 and CE certification, Gongdong continuously invests in new and innovated technologies to improve quality control and customers satisfaction throughout whole procedures.

- Fully automated production lines distribute to reliable and accurate digital inspection individually using a robotic imaging system.
- Automatic labeling machines provide speed and high-precision by intelligent control with optimal readability provide customized services for different requirements as various dimensions, labeling, or precise adjustments compatible with increasing altitude.
- End-user and distributor training plans provided by our professional team.
- **Centrifugation:**  
 $\leq 1300$  g (RCF) for 10 minutes at 18-25° C.



## Golden Vac™ Closures



- Various stopper colors conform with international standards .
- Rubber stopper is recessed inside the plastic shield to avoid potential contact from any blood drops left by a collection needle .
- High quality rubber stopper provides maximum sealing with easy puncturing and reliable self-sealing after needle piercing and preventing any possible interactions with blood samples in tubes .
- With lower residuals and impurities by suitable rubber formulation, rubber stopper chips seldom occur during needle piercing. And it also provides lower insertion forces and lower pulling forces.
- Gongdong patented non screw safety twist caps with strong, durable construction can be removed with a gentle pull, making outer plastic shield and interior rubber stopper more secured .
- Universal closures/safe-lock closures/rubber stoppers are available .
- Compatible with multi-types of automated analyzers .



## Golden Vac™ Tubes



- Versatile tubes and reliable additives for optimal performance in the laboratory.
- Tubes are made of medical grade virgin polyethylene terephthalate (PET), clear as glass with equal or better performance, offer low permeability to solvents, eliminating breakage when tubes are centrifuged at higher speed or when stopper is removed and reinserted, to reduce risk of tube breakage during handling .
- Interior tube wall is coated with microscopic silica particles which activate clotting when tubes are gently inverted .
- Suitable for incineration or autoclaving; no harmful gas is generated .

## Golden Vac™ Separator Gel



- High quality and reliable inert separation gel is ideal for the collection, storage, and transport of undiluted plasma for molecular diagnostics testing. When the tube is centrifuged, the separation gel migrates and forms a stable barrier between the plasma and most of the cellular elements without any interference to blood testing.

## Preset Vacuum & High-Quality Additives



- Preset standard ration additives based on CLSI and CCCLS recommendation.
- Accurate preset vacuum level in the tubes ensure precise blood drawing.
- Various additives are ultrasonically spray-dried on interior wall to make sure coagulation or anticoagulation more thoroughly .

## Vacuum Tubes for High Altitude



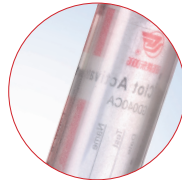
- Customized vacuum tube for high altitude to make sure accurate blood drawing in different area.

## Serum Clot Activator Tube

Golden Vac™ serum clot activator tube is to obtain serum specimen used for serum determinations in chemistry, serology, and immunohematology.

### Description

- Silica particles act as the clot activator.
- Blood clotting promoted with ultrasonically spray-dried. Silica particles on the interior tube wall.
- Gently mix the blood collection tube by inverting 5-6 times immediately to activate clotting after blood drawing.
- To obtain serum, tube should be allowed to stand for 30 minutes or until the clot is formed.
- **Centrifugation:**  
 $\leq 1300$  g (RCF) for 10 minutes at 18-25° C.



## Plain Tube

Golden Vac™ plain tubes with no additives for biochemistry, immunology and serology test.

### Description

- Naturally separate out the blood cells and fibrin.
- The intact serum is suitable for a wide range of lab operation.



Cat. No	Volume/ml	Size/mm	Additive	Separator	Material	Cap Color	Closure
GD020CA	2.0	13X75	Clot Activator	/	PET/GLASS		Safety Cap+Rubber
GD030CA	3.0	13X75	Clot Activator	/	PET/GLASS		Safety Cap+Rubber
GD040CA	4.0	13X75	Clot Activator	/	PET/GLASS		Safety Cap+Rubber
GD050CA	5.0	13X75	Clot Activator	/	PET/GLASS		Safety Cap+Rubber
GD060CA	6.0	13X100	Clot Activator	/	PET/GLASS		Safety Cap+Rubber
GD070CA	7.0	13X100	Clot Activator	/	PET/GLASS		Safety Cap+Rubber
GD090CA	9.0	16X100	Clot Activator	/	PET/GLASS		Safety Cap+Rubber
GD0100CA	10.0	16X100	Clot Activator	/	PET/GLASS		Safety Cap+Rubber
GD090CAR	9.0	16X100	Clot Activator	/	PET/GLASS		Rubber Stopper
GA0100CAR	10.0	16X100	Clot Activator	/	PET/GLASS		Rubber Stopper

- Available in a range of 1-10ml blood collection tubes.
- All tubes are supplied in 1000pcs or 1200 pcs/ctn.

Cat. No	Volume/ml	Size/mm	Additive	Separator	Material	Cap Color	Closure
GD020A	2.0	13X75	/	/	PET/GLASS		Safety Cap+Rubber
GD030A	3.0	13X75	/	/	PET/GLASS		Safety Cap+Rubber
GD040A	4.0	13X75	/	/	PET/GLASS		Safety Cap+Rubber
GD050A	5.0	13X75	/	/	PET/GLASS		Safety Cap+Rubber
GD060A	6.0	13X100	/	/	PET/GLASS		Safety Cap+Rubber
GD070A	7.0	13X100	/	/	PET/GLASS		Safety Cap+Rubber
GD090A	9.0	16X100	/	/	PET/GLASS		Safety Cap+Rubber
GD0100A	10.0	16X100	/	/	PET/GLASS		Safety Cap+Rubber
GD090AR	9.0	16X100	/	/	PET/GLASS		Rubber Stopper
GA0100AR	10.0	16X100	/	/	PET/GLASS		Rubber Stopper

- Available in a range of 1-10ml blood collection tubes.
- All tubes are supplied in 1000pcs or 1200 pcs/ctn.

## EDTA Tube











Golden Vac™ EDTA Tubes contain EDTA as an anticoagulant, are widely used for determinations in EDTA whole blood clinical hematology test, especially for routine blood examination.

### Description

- The EDTA inhibits the coagulation process by eliminating the calcium in the blood.
- Available in K2·EDTA & K3·EDTA.
- The anticoagulant effect of K3·EDTA is stronger than K2·EDTA. K3·EDTA results in greater RBC shrinkage and produces a larger increase in cell volume on standing.
- Ultrasonically and finely coated to make sure accurate additives.
- After the tube has been filled with blood, immediately invert the tube 8-10 times to mix and ensure adequate anticoagulation of the specimen.
- **Centrifugation:** N/A



Cat. No	Volume/ml	Size/mm	Additive	Separator	Material	Cap Color	Closure
GD020EK2	2.0	13X75	K2·EDTA	/	PET/GLASS		Safety Cap+Rubber
GD030EK2	3.0	13X75	K2·EDTA	/	PET/GLASS		Safety Cap+Rubber
GD040EK2	4.0	13X75	K2·EDTA	/	PET/GLASS		Safety Cap+Rubber
GD050EK2	5.0	13X75	K2·EDTA	/	PET/GLASS		Safety Cap+Rubber
GD060EK2	6.0	13X100	K2·EDTA	/	PET/GLASS		Safety Cap+Rubber
GD070EK2	7.0	13X100	K2·EDTA	/	PET/GLASS		Safety Cap+Rubber
GD080EK2	8.0	16X100	K2·EDTA	/	PET/GLASS		Safety Cap+Rubber
GD090EK2	9.0	16X100	K2·EDTA	/	PET/GLASS		Safety Cap+Rubber
GD0100EK2	10.0	16X100	K2·EDTA	/	PET/GLASS		Safety Cap+Rubber
GD0100EK2R	10.0	16X100	K2·EDTA	/	PET/GLASS		Rubber Stopper

Cat. No	Volume/ml	Size/mm	Additive	Separator	Material	Cap Color	Closure
GD020EK3	2.0	13X75	K3·EDTA	/	PET/GLASS		Safety Cap+Rubber
GD030EK3	3.0	13X75	K3·EDTA	/	PET/GLASS		Safety Cap+Rubber
GD040EK3	4.0	13X75	K3·EDTA	/	PET/GLASS		Safety Cap+Rubber
GD050EK3	5.0	13X75	K3·EDTA	/	PET/GLASS		Safety Cap+Rubber
GD060EK3	6.0	13X100	K3·EDTA	/	PET/GLASS		Safety Cap+Rubber
GD070EK3	7.0	13X100	K3·EDTA	/	PET/GLASS		Safety Cap+Rubber
GD080EK3	8.0	16X100	K3·EDTA	/	PET/GLASS		Safety Cap+Rubber
GD090EK3	9.0	16X100	K3·EDTA	/	PET/GLASS		Safety Cap+Rubber
GD0100EK3	10.0	16X100	K3·EDTA	/	PET/GLASS		Safety Cap+Rubber
GD0100EK3R	10.0	16X100	K3·EDTA	/	PET/GLASS		Rubber Stopper

Cat. No	Volume/ml	Size/mm	Additive	Separator	Material	Cap Color	Closure
GD035EK2G	3.5	13X75	K2·EDTA	Gel	PET/GLASS		Safety Cap+Rubber
GD060EK2G	6.0	13X100	K2·EDTA	Gel	PET/GLASS		Safety Cap+Rubber
GD085EK2G	8.5	16X100	K2·EDTA	Gel	PET/GLASS		Safety Cap+Rubber
GD085EK2RG	8.5	16X100	K2·EDTA	Gel	PET/GLASS		Rubber Stopper
GD035EK3G	3.5	13X75	K3·EDTA	Gel	PET/GLASS		Safety Cap+Rubber
GD060EK3G	6.0	13X100	K3·EDTA	Gel	PET/GLASS		Safety Cap+Rubber
GD085EK3G	8.5	16X100	K3·EDTA	Gel	PET/GLASS		Safety Cap+Rubber
GD085EK3RG	8.5	16X100	K3·EDTA	Gel	PET/GLASS		Rubber Stopper

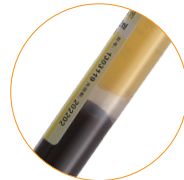
- All tubes are supplied in 1000pcs or 1200 pcs/ctn.

## Serum Separation Tubes

Golden Vac™ Gold-top vacuum blood tubes for serum determinations in chemistry, immunology and serology.

### Description

- Coated with ultrasonically spray-dried microscopic silica particles which activate blood clotting.
- Contain an inert polymer gel that separates the serum from the blood clot during centrifugation, preventing contamination of the serum.
- Gently mix the blood collection tube by inverting 5-6 times immediately to activate clotting after blood drawing.
- Allow the tube to stand for 30 minutes or until the clot is formed before centrifuging.
- **Centrifugation:** 1800-2200 g for 8-15 minutes at 18-25° C.



Cat. No	Volume/ml	Size/mm	Additive	Separator	Material	Cap Color	Closure
GD040SGC	4.0	13X75	Clot Activator	Gel	PET/GLASS		Safety Cap+Rubber
GD040SGC2	4.0	13X100	Clot Activator	Gel	PET/GLASS		Safety Cap+Rubber
GD050SGC	5.0	13X100	Clot Activator	Gel	PET/GLASS		Safety Cap+Rubber
GD060SGC	6.0	13X100	Clot Activator	Gel	PET/GLASS		Safety Cap+Rubber
GD080SGC	8.0	16X100	Clot Activator	Gel	PET/GLASS		Safety Cap+Rubber
GD080SGCR	8.0	16X100	Clot Activator	Gel	PET/GLASS		Rubber Stopper
GD085SGC	8.5	16X100	Clot Activator	Gel	PET/GLASS		Safety Cap+Rubber
GD085SGCR	8.5	16X100	Clot Activator	Gel	PET/GLASS		Rubber Stopper

- All tubes are supplied in 1000pcs or 1200 pcs/ctn.

## ESR Tube

Determination of the Erythrocyte Sedimentation Rate for fully automated analyzers. ESR is a clinical lab test that measures the rate at which red blood cells in whole blood descend into a standardized tube, reported as mm per hour, to measure inflammation as inflamed red blood cells settle quickly relative to normal blood cells. A high ESR could be indicative of elevated inflammation.

### Description

- Sodium citrate is used as anticoagulant to prevent blood from clotting. Filled with a buffered sodium citrate solution in a concentration of 0.129mol/L (3.8%).
- The blood to additive ratio is 4:1.
- After ESR tube has been filled with blood, immediately invert the tube 8-10 times to mix and ensure adequate anticoagulation of the specimen.
- Aluminum composite bags available to provide optimum protection against additive evaporation, UV light, dirt and mechanical influences.
- All the necessary custom service options to fulfill your project requirements.



Cat. No	Volume/ml	Size/mm	Additive	Separator	Material	Cap Color	Closure
GD016SC	1.6	13X75	Sodium Citrate 3.8%	/	PET/GLASS		Safety Cap+Rubber
GD024SC	2.4	13X75	Sodium Citrate 3.8%	/	PET/GLASS		Safety Cap+Rubber
GD032SC	3.2	13X75	Sodium Citrate 3.8%	/	PET/GLASS		Safety Cap+Rubber

- All tubes are supplied in 1000pcs or 1200 pcs/ctn.

## ESR Tube

For the manual determination of erythrocyte sedimentation rates with ESR stand.

### Description

- Sodium citrate is used as anticoagulant to prevent blood from clotting.
- Filled with a buffered sodium citrate solution in a concentration of 0.129mol/L (3.8%).
- The blood to additive ratio is 4:1.
- After ESR tube has been filled with blood, immediately invert the tube 8-10 times to mix and ensure adequate anticoagulation of the specimen.



Cat. No	Volume/ml	Size/mm	Additive	Separator	Material	Cap Color	Closure
GD016ESR	1.6	8X120	Sodium Citrate 3.8%	/	GLASS		Rubber Stopper
GD0128ESR	1.28	8X120	Sodium Citrate 3.8%	/	GLASS		Rubber Stopper
GD016ESRN	1.6	9X120	Sodium Citrate 3.8%	/	GLASS		Rubber Stopper

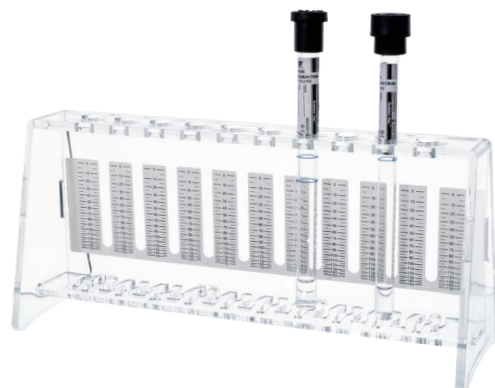
- All tubes are supplied in 1000pcs or 1200 pcs/ctn.

## ESR Tube Rack

Before tubes are placed in the ESR tube rack for measurement, the tubes must be mixed again. After 1-2 hours the results are read. The ESR tube rack holds up to 10 ESR tubes and has a height adjustable zero mark. The measurement results achieved correspond to the Westergren method.

Cat. No	Size/mm
H1020A	ESR Tube Rack, for ESR 8X120mm, 1.6ml tube
H1020B	ESR Tube Rack, for ESR 8X120mm, 1.28ml tube

- All tube racks are supplied in cases of 10pcs.



## Coagulation Tube

Golden Vac™ blue-top blood collection tubes are used for clinical coagulation tests.

### Description

- Sodium citrate is used as anticoagulant to prevent blood from clotting.
- Filled with a buffered sodium citrate solution in a concentration of 0.109mol/L (3.2%).
- The blood to additive ratio is 9:1. The ratio of blood to anticoagulant is critical for valid prothrombin time results.
- Immediately after draw, gently invert the tube 3-4 times in order to activate adequate anticoagulant.
- Aluminum composite bags available to provide optimum protection against additive evaporation, UV light, dirt and mechanical influences.
- All the necessary custom service options to fulfill your project requirements.
- **Centrifugation:** 2000-2500g for 10-15 minutes at 18-25° C.



Cat. No	Volume/ml	Size/mm	Additive	Separator	Material	Cap Color	Closure
GD018SC	1.8	13X75	Sodium Citrate 3.2%	/	PET/GLASS		Safety Cap+Rubber
GD027SC	2.7	13X75	Sodium Citrate 3.2%	/	PET/GLASS		Safety Cap+Rubber
GD036SC	3.6	13X75	Sodium Citrate 3.2%	/	PET/GLASS		Safety Cap+Rubber
GD045SC	4.5	13X75	Sodium Citrate 3.2%	/	PET/GLASS		Safety Cap+Rubber
GD018SC-F	1.8	10.25X64	Sodium Citrate 3.2%	/	PET/GLASS		Safety Cap+Rubber
GD027SC-F	2.7	10.25X64	Sodium Citrate 3.2%	/	PET/GLASS		Safety Cap+Rubber

- Tubes are supplied in 1000pcs or 1200 pcs/ctn.
- Tubes (Flat Bottom) are supplied in cases of 1000pcs.



## Double-wall tubes

Golden Vac™ blue-top blood tubes specially designed with double walls are made of polypropylene(PP) and polyethylene terephthalate(PET). Polypropylene is ideal for sensitive coagulation parameters due to its nonreactive characteristics. The inner tube is made of polypropylene and prevents the evaporation of liquid. The outer tube is made of polyethylene terephthalate and ensures a long shelf-life for the vacuum.

### Description

- Sodium citrate is used as anticoagulant to prevent blood from clotting.
- Filled with a buffered sodium citrate solution in a concentration of 0.109mol/L (3.2%).
- The blood to additive ratio is 9:1. The ratio of blood to anticoagulant is critical for valid prothrombin time results.
- Immediately after draw, gently invert the tube 3-4 times in order to activate adequate anticoagulant.
- **Centrifugation:**  
2000-2500 g for 10-15 minutes at 18-25° C.



Cat. No	Volume/ml	Size/mm	Additive	Separator	Material	Cap Color	Closure
GD018SCD	1.8	13X75	Sodium Citrate 3.2%	/	PET (Double Wall)		Safety Cap+Rubber
GD027SCD	2.7	13X75	Sodium Citrate 3.2%	/	PET (Double Wall)		Safety Cap+Rubber

- Tubes are supplied in 1000pcs or 1200 pcs/ctn.

## Heparin Tube

Golden Vac™ heparin tube is used for drawing heparinized plasma or whole blood for emergency biochemical and hemorheological tests.

### Description

- Available in lithium heparin and sodium heparin.
- The anticoagulant heparin activates antithrombin, which blocks the clotting cascade and thus produces a whole blood/plasma sample.
- Lithium heparin has no interference with all ion detection during testing, including sodium ion.
- Immediately after draw, gently invert the tube 8-10 times in order to activate adequate anticoagulant.
- **Centrifugation:** ≤ 1300 g (RCF) for 10 minutes at 18-25° C.



Cat. No	Volume/ml	Size/mm	Additive	Separator	Material	Cap Color	Closure
GD020LH	2.0	13X75	Lithium Heparin	/	PET/GLASS		Safety Cap+Rubber
GD030LH	3.0	13X75	Lithium Heparin	/	PET/GLASS		Safety Cap+Rubber
GD040LH	4.0	13X75	Lithium Heparin	/	PET/GLASS		Safety Cap+Rubber
GD050LH	5.0	13X75	Lithium Heparin	/	PET/GLASS		Safety Cap+Rubber
GD060LH	6.0	13X100	Lithium Heparin	/	PET/GLASS		Safety Cap+Rubber
GD070LH	7.0	13X100	Lithium Heparin	/	PET/GLASS		Safety Cap+Rubber
GD080LH	8.0	16X100	Lithium Heparin	/	PET/GLASS		Safety Cap+Rubber
GD090LH	9.0	16X100	Lithium Heparin	/	PET/GLASS		Safety Cap+Rubber
GD0100LH	10.0	16X100	Lithium Heparin	/	PET/GLASS		Safety Cap+Rubber
GD0100LHR	10.0	16X100	Lithium Heparin	/	PET/GLASS		Rubber Stopper

Cat. No	Volume/ml	Size/mm	Additive	Separator	Material	Cap Color	Closure
GD020SH	2.0	13X75	Sodium Heparin	/	PET/GLASS		Safety Cap+Rubber
GD030SH	3.0	13X75	Sodium Heparin	/	PET/GLASS		Safety Cap+Rubber
GD040SH	4.0	13X75	Sodium Heparin	/	PET/GLASS		Safety Cap+Rubber
GD050SH	5.0	13X75	Sodium Heparin	/	PET/GLASS		Safety Cap+Rubber
GD060SH	6.0	13X100	Sodium Heparin	/	PET/GLASS		Safety Cap+Rubber
GD070SH	7.0	13X100	Sodium Heparin	/	PET/GLASS		Safety Cap+Rubber
GD080SH	8.0	16X100	Sodium Heparin	/	PET/GLASS		Safety Cap+Rubber

Cat. No	Volume/ml	Size/mm	Additive	Separator	Material	Cap Color	Closure
GD090SH	9.0	16X100	Sodium Heparin	/	PET/GLASS		Safety Cap+Rubber
GD0100SH	10.0	16X100	Sodium Heparin	/	PET/GLASS		Safety Cap+Rubber
GD0100SHR	10.0	16X100	Sodium Heparin	/	PET/GLASS		Rubber Stopper

- Available in a range of 1-10ml blood collection tubes.
- All tubes are supplied in 1000pcs or 1200 pcs/ctn.

## Heparin Tube (Separator Gel)

These Golden Vac™ heparin tubes contain a polymer separation gel and spray-dried heparin additive.

### Description

- Available in lithium heparin and sodium heparin.
- The anticoagulant heparin activates antithrombin, which blocks the clotting cascade and thus produces a whole blood/plasma sample.
- Lithium heparin has no interference with all ion detection during testing, including sodium ion.
- The separation gel separates the plasma from the blood cells during centrifugation, preventing contamination of the plasma.
- Immediately after draw, gently invert the tube 8-10 times in order to activate adequate anticoagulant.
- **Centrifugation:** 1800-2200g for 8-15 minutes at 18-25° C.



Cat. No	Volume/ml	Size/mm	Additive	Separator	Material	Cap Color	Closure
GD030LHG	3.0	13X75	Heparin Lithium	Gel	PET/GLASS		Safety Cap+Rubber
GD040LHG	4.0	13X75	Heparin Lithium	Gel	PET/GLASS		Safety Cap+Rubber
GD050LHG	5.0	13X100	Heparin Lithium	Gel	PET/GLASS		Safety Cap+Rubber
GD085LHG	8.5	16X100	Heparin Lithium	Gel	PET/GLASS		Safety Cap+Rubber
Cat. No	Volume/ml	Size/mm	Additive	Separator	Material	Cap Color	Closure
GD030SHG	3.0	13X75	Heparin Lithium	Gel	PET/GLASS		Safety Cap+Rubber
GD040SHG	4.0	13X75	Heparin Lithium	Gel	PET/GLASS		Safety Cap+Rubber
GD050SHG	5.0	13X100	Heparin Lithium	Gel	PET/GLASS		Safety Cap+Rubber
GD085SHG	8.5	16X100	Heparin Lithium	Gel	PET/GLASS		Safety Cap+Rubber

- Tubes are supplied in 1000pcs or 1200 pcs/ctn.

## Glucose Tube

Golden Vac™ glucose tube is used for blood glucose, glucose tolerance, red blood cell electrophoresis, sugar hemoglobin, etc.

### Description

- Obtain highly stable plasma for blood glucose testing.
- Sodium Fluoride is an inhibitor of glucose degradation.
- Potassium Oxalate, EDTA Na<sub>2</sub>, and Heparin Sodium prevent blood coagulation and avoid blood hemolysis.
- Immediately after draw, gently invert the tube 8-10 times in order to activate adequate anticoagulant.
- **Centrifugation:** ≤ 1300 g (RCF) for 10 minutes at 18-25° C.



Cat. No	Volume/ml	Size/mm	Additive	Separator	Material	Cap Color	Closure
GD020SFH	2.0	13X75	Sodium Fluoride + Heparin Sodium	/	PET/GLASS		Safety Cap+Rubber
GD030SFH	3.0	13X75	Sodium Fluoride + Heparin Sodium	/	PET/GLASS		Safety Cap+Rubber
GD040SFH	4.0	13X75	Sodium Fluoride + Heparin Sodium	/	PET/GLASS		Safety Cap+Rubber
GD050SFH	5.0	13X75	Sodium Fluoride + Heparin Sodium	/	PET/GLASS		Safety Cap+Rubber

Cat. No	Volume/ml	Size/mm	Additive	Separator	Material	Cap Color	Closure
GD020SNA	2.0	13X75	Sodium Fluoride + EDTA Na <sub>2</sub>	/	PET/GLASS		Safety Cap+Rubber
GD030SNA	3.0	13X75	Sodium Fluoride + EDTA Na <sub>2</sub>	/	PET/GLASS		Safety Cap+Rubber
GD050SNA	5.0	13X75	Sodium Fluoride + EDTA Na <sub>2</sub>	/	PET/GLASS		Safety Cap+Rubber

Cat. No	Volume/ml	Size/mm	Additive	Separator	Material	Cap Color	Closure
GD020SP	2.0	13X75	Sodium Fluoride + Potassium Oxalate	/	PET/GLASS		Safety Cap+Rubber
GD030SP	3.0	13X75	Sodium Fluoride + Potassium Oxalate	/	PET/GLASS		Safety Cap+Rubber
GD040SP	4.0	13X75	Sodium Fluoride + Potassium Oxalate	/	PET/GLASS		Safety Cap+Rubber
GD050SP	5.0	13X75	Sodium Fluoride + Potassium Oxalate	/	PET/GLASS		Safety Cap+Rubber

- All tubes are supplied in 1000pcs or 1200 pcs/ctn.

## Non Vacuum Blood Tube

Micro collection tube and capillary blood collection tube belongs to non-vacuum blood tube.

Cat. No	Volume/ml	Size/mm	Additive	Separator	Material	Cap Color	Closure
GDN050EK2	5.0	18X55	EDTA K2	/	PP		Screw Cap
GDN050EK3	5.0	18X55	EDTA K3	/	PP		Screw Cap
GDN050A	5.0	18X55	Plain	/	PP		Screw Cap
GDN050CA	5.0	18X55	Clot Activator	/	PP		Screw Cap
GDN050SP	5.0	18X55	Fluoride Oxalate	/	PP		Screw Cap
GDN050LH	5.0	18X55	Heparin Lithium	/	PP		Screw Cap

## Non-Vacuum Serum Separator Tube

For serum determinations in chemistry, immunology and serology.

### Description

- Contain an inert polymer gel that separates the serum from the blood clot during centrifugation, preventing contamination of the serum.
- Made of transparent polypropylene(PP) for easy visibility of blood samples.
- Immediately after draw, gently invert the tube 8-10 times in order to activate adequate anticoagulant.
- To obtain serum, tube should be allowed to stand for 30 minutes or until the clot is formed.
- **Centrifugation:** 1800-2200g for 8-15 minutes at 18-25° C.



Cat. No	Volume/ml	Size/mm	Additive	Separator	Material	Cap Color	Closure
GDN050SGC	5.0	13X75	Clot Activator	Gel	PP		Push Cap
GDN060SGC	6.0	13X100	Clot Activator	Gel	PP		Push Cap
GDN085SGC	8.5	18X100	Clot Activator	Gel	PP		Push Cap

- All tubes are supplied in 1000pcs or 1200 pcs/ctn.

## Micro Blood Collection Tubes

Used for pediatric & finger-prick blood sample collections. Made from medical grade polypropylene (PP), virtually unbreakable and highly transparent.



### Description

- Ultrasonically sprayed additives for different clinical lab tests.
- Precision molded snap cap maintains a tight seal during procedures and allows to open by single hand.
- Caps are available in bright attractive colors for sample identification purposes.
- An integrated scoop on the tube for easier micro blood collection.
- Marked with fill lines, lot numbers and expiration date on labels.
- Holds 250 to 500µL of blood.
- Immediately after draw, gently invert the tube in order to mix with additives.
- To obtain serum with clot activator, tubes should be allowed to stand for 30 minutes or until the clot is formed.

Cat. No	Volume/ml	Size/mm	Additive	Separator	Material	Cap Color	Closure
GD005A	0.5	10X45	NONE	/	PP		Snap Cap
GD005CA	0.5	10X45	Clot Activator	/	PP		Snap Cap
GD005EK2	0.5	10X45	EDTA K2	/	PP		Snap Cap
GD005EK3	0.5	10X45	EDTA K3	/	PP		Snap Cap
GD005LH	0.5	10X45	Heparin Lithium	/	PP		Snap Cap
GD005SH	0.5	10X45	Heparin Sodium	/	PP		Snap Cap
GD005SFH	0.5	10X45	Heparin Sodium+ Sodium Fluoride	/	PP		Snap Cap
GD005SGC	0.5	10X45	Clot Activator	Gel	PP		Snap Cap

- All tubes are supplied in 1000pcs or 1200 pcs/ctn.

## Micro Blood Collection Tubes



Skirted tube with false bottom to make a full-size blood collection tube, with dimensions as 13 X 75mm; Compatible with automated hematology analyzers without the need for a tube adapter.

Used for pediatric & finger-prick blood sample collections.

### Description

- Ultrasonically sprayed additives for different clinical lab tests.
- Precision molded snap cap maintains a tight seal during procedures and allows to open by single hand. They are available in bright attractive colors for sample identification purposes.
- An integrated scoop on the tube for easier micro blood collection.
- Marked with fill lines, lot numbers and expiration date on labels.
- Made from medical grade polypropylene (PP), virtually unbreakable and highly transparent.
- Immediately after draw, gently invert the tube in order to mix with additives.
- To obtain serum with clot activator, tubes should be allowed to stand for 30 minutes or until the clot is formed.

Cat. No	Volume/ml	Size/mm	Additive	Separator	Material	Cap Color	Closure
GDNM005A	0.5	13X75	NONE	/	PP		Snap Cap
GDNM005CA	0.5	13X75	Clot Activator	/	PP		Snap Cap
GDNM005EK2	0.5	13X75	EDTA K2	/	PP		Snap Cap
GDNM005EK3	0.5	13X75	EDTA K3	/	PP		Snap Cap
GDNM005LH	0.5	13X75	Heparin Lithium	/	PP		Snap Cap
GDNM005SH	0.5	13X75	Heparin Sodium	/	PP		Snap Cap
GDNM005SFH	0.5	13X75	Heparin Sodium+ Sodium Fluoride	/	PP		Snap Cap
GDNM005SGC	0.5	13X75	Clot Activator	Gel	PP		Snap Cap

- All tubes are supplied in 1000pcs or 1200 pcs/ctn.

## Capillary Blood Collection Tube

For collecting, transport and processing capillary blood, especially in children, geriatric patients when small amount of blood sample is required.



### Description

- Additives ultrasonically sprayed for different clinical lab tests.
- Small volume blood collection use.
- Micro tube with central crossed rubber cap for inserting capillary tubes, allowing appropriate capillary to be inserted without removing the cap.
- Immediately after draw, gently invert the tube in order to mix with additives.
- To obtain serum with clot activator, tubes should be allowed to stand for 30 minutes or until the clot is formed.

Cat. No	Volume/ml	Size/mm	Additive	Separator	Material	Cap Color	Closure
GDC005A	0.5	10X45	NONE	/	PP		Snap Cap
GDC005CA	0.5	10X45	Clot Activator	/	PP		Snap Cap
GDC005EK2	0.5	10X45	EDTA K2	/	PP		Snap Cap
GDC005EK3	0.5	10X45	EDTA K3	/	PP		Snap Cap
GDC005LH	0.5	10X45	Heparin Lithium	/	PP		Snap Cap
GDC005SH	0.5	10X45	Heparin Sodium	/	PP		Snap Cap
GDC005SFH	0.5	10X45	Heparin Sodium+ Sodium Fluoride	/	PP		Snap Cap
GDC005SGC	0.5	10X45	Clot Activator	Gel	PP		Snap Cap

- All tubes are supplied in 1000pcs or 1200 pcs/ctn.

## Butterfly Needles

Safety blood collection needle devices specialized for venipuncture.

### Description

- Accessing a superficial vein or artery for intravenous injection or phlebotomy. It consists, from front to rear, of a Hypodermic needle, two bilateral flexible wings.
- Flexible small-bore transparent tubing (often 20-35cm long).
- Transparent tubes for optimal observation of venous blood return.
- All butterfly needles are supplied in 2000 pcs/ctn.



Cat. No	Specification	Color
GD-BF21G	21Gx3/4"	Green
GD-BF22G	22Gx3/4"	Black
GD-BF23G	23Gx3/4"	Blue

## Pen Type Blood Collection Needles

Used for blood collection.



### Description

- Easily identified by different color.
- Thin-walled design, big inner dia., so the flow rate is high.
- Pyrogen free.
- Non-toxic.

Cat. No	Size	Color
GDN18G	18GX1 1/2"	Pink
GDN20G	20GX1 1/2"	Yellow
GDN21G	21GX1 1/2"	Green
GDN21G2	21GX1 1/4"	Green
GDN22G	22GX1 1/2"	Black
GDN22G	22GX1 1/4"	Black
GDN23G	23GX1 1/2"	Blue

- All needles are supplied in 4000 pcs/ctn.

## Flashback Blood Collection Needles

Flashback blood collection needles avoid the potential multiple sticks of the same patient with instant confirmation of needle placement, through a unique visual flashback indication.

Cat. No	Specificatio	Color
GDN21GFB	Flash Back Needle 21Gx1"	Green
GDN22GFB	Flash Back Needle 22Gx1"	Black

- All flash back needles are supplied in 5000 pcs/ctn.



## Blood Collection Tube Holder

Blood collection tube holder for taking blood samples.

### Description

- Compatible with standard, multiple sample blood collection needles.

Cat. No	Material	Qty/ctn.
GD-H	PP	2000
GD-H1	PP	2000



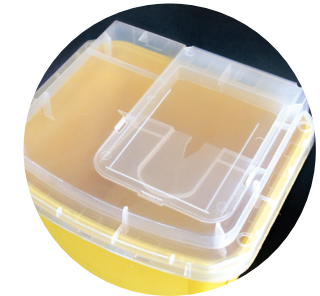
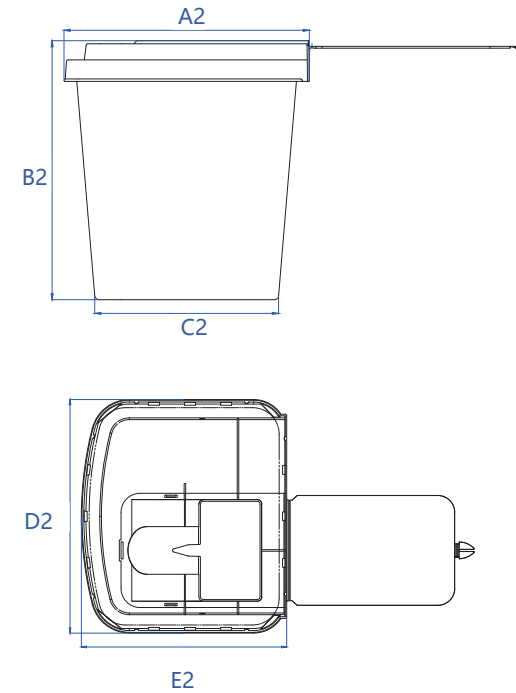
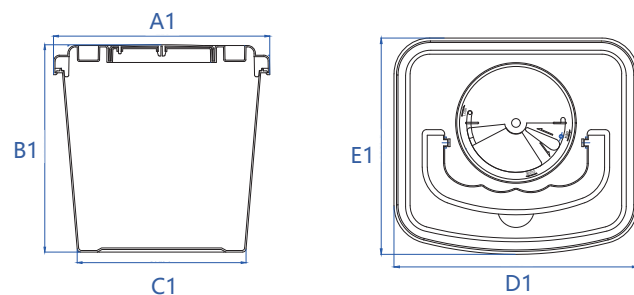
## Sharps Container



- **Material:** Polypropylene, PVC-free.
- Standard disposable sharps container used to collect sharps waste, including syringes, infusion sets, hypodermic needles, surgical needles, etc.
- **Available in a variety of sizes:**  
1L, 3L, 5L, 7L, 13L; 1 gallon, 2 gallons, 6 gallons; 1 quart, 2 quarts, 5 quarts.
- The container is made of puncture-resistant medical plastics; the lid is flip-top or rotating for easy collection and transport.
- FDA 510k approval.



Rotary Lid



Flip Lid

Item	Capacity	Color	Type	Closure	【 A1	B1	C1	D1	E1 】 (mm)	Qty/ctn.
GDC-03-X	3L	Yellow	Free Standing	Rotary Lid	184.4	183.3	141.8	154.3	184.3	48
GDC-05-X	5L	Yellow	Free Standing	Rotary Lid	221	213.3	173.7	195.9	221	32
GDC-07-X	7L	Yellow	Free Standing	Rotary Lid	241.2	224	194	220.4	241.2	24
GDC-013-X	13L	Yellow	Side Knob	Rotary Lid	300.2	394.3	220.7	253.6	300.2	20

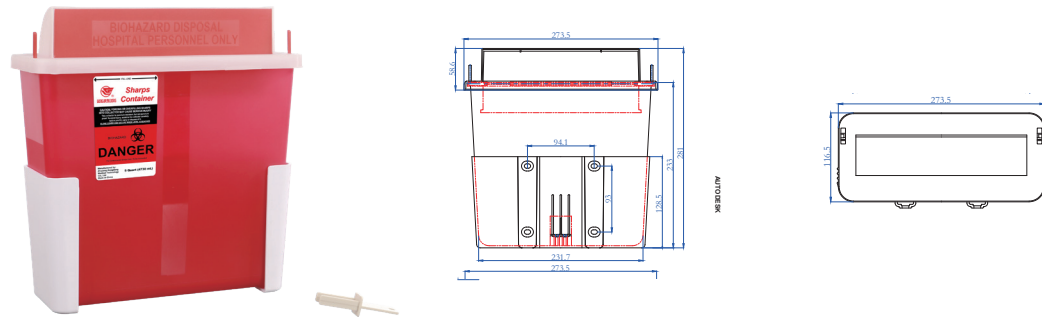
Item	Capacity	Color	Type	Closure	【 A2	B2	C2	D2	E2 】 (mm)	Qty/ctn.
GDC-01-F	3L	Yellow	Free Standing	Flip Lid	102.5	166.4	70.4	122	102.5	60
GDC-03-F	5L	Yellow	Free Standing	Flip Lid	158.1	190.6	112.8	188.4	58.1	48
GDC-05-F	7L	Yellow	Free Standing	Flip Lid	199	210.1	149.1	226.2	199	32
GDC-07-F	13L	Yellow	Free Standing	Flip Lid	223.9	223.6	170.5	241.4	220.9	24

## Sharps Container

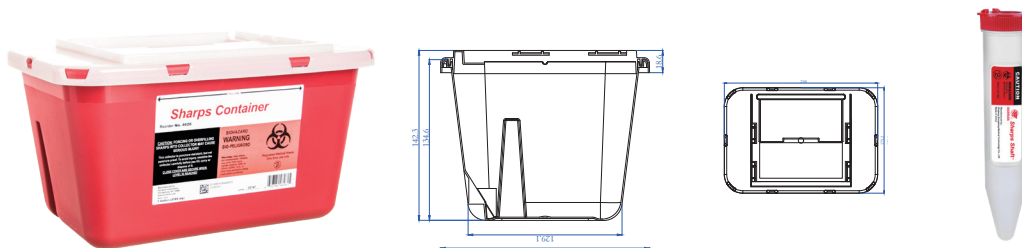


SC-01Q

SC-02Q

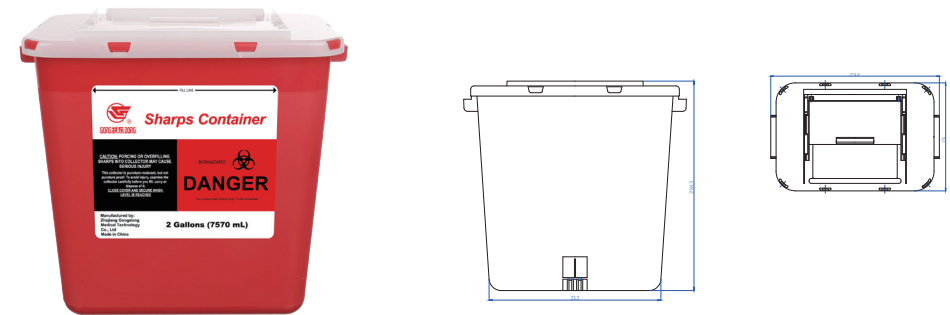


SC-05Q

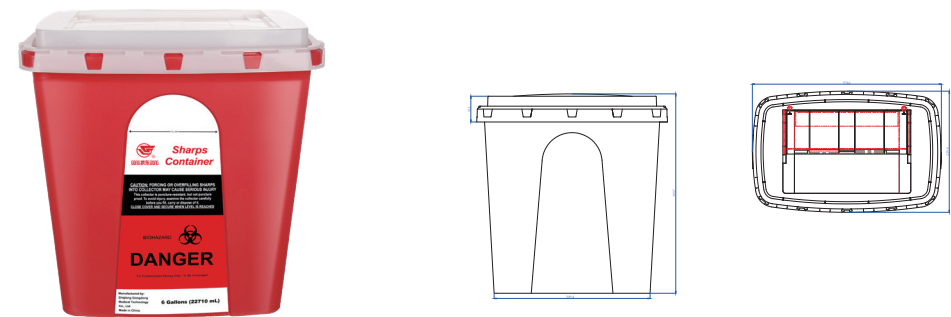


SC-01G

SCT50



SC-02G



SC-06G

Item	Capacity	Color	Type	Closure	Qty/ctn.
SC-01Q	1 Quart	Red	One-handed	Sliding Lid	60
SC-02Q	2 Quart	Red	One-handed	Sliding Lid	60
SC-05Q	5 Quart	Red	Wall Mount	Always Open	20
SC-01G	1 Gallon	Red	Wall Mount	Sliding Lid	24
SC-02G	2 Gallon	Red	Wall Mount	Sliding Lid	24
SC-06G	6 Gallon	Red	Side Knob	Sliding Lid	12
SCT50	50ml	Transparent	Portable Sharps Shuttle Container	Lock-safe cap	24